

"U" JOINT TEDDER

Mod. G4LP-UJ

ASSEMBLY INSTRUCTIONS AND SPARE PARTS.
EDITION OCTOBER 2009



ENOAGRICOLA ROSSI s.r.l.

AGRICULTURAL IMPLEMENTS - HAY MACHINES
WINE MAKING EQUIPMENT - OLIVE OIL SYSTEMS

06018 CALZOLARO DI UMBERTIDE (PERUGIA) Italy
Tel. 075.9302222 - Fax 075.9302328

E-mail: enorossi@enorossi.it - info@enorossi.it

<http://www.enorossi.it> - www.enoagricolarossi.it
www.enoagricolarossi.com



SINCERT



INDEX

	<u>Page</u>
• Safety instructions	1
• Safety warning	2
• Safety warning decals and precautions	3
• Assembly instructions for pull type model	4 - 5
• Assembly instructions for three point hitch model	6 - 7
• Main frame assembly instructions	8
• Main frame breakdown drawing	9
• Wheel assembly	10 - 11
• Hydraulic kit spare parts	12
• Hydraulic kit scheme	13
• Mechanical/Hydraulic wing lift assembly	14
• Hydraulic wing lift schematic	15
• Working speeds and P.T.O working speed	16
• Transport / Lowering and raising of lateral wings	16
• Optional fender assembly	17
• Rotor spare parts	18
• Rotors breakdown drawing	19 - 20
• General frame spare parts	21
• General spare parts	24
• Cardan shaft spare parts	28
• General spare parts	29
• Spare parts order form	30
• Greasing / lubrication instructions	31
• Lubrication chart	32
• Safety instructions	33
• Warranty policy	34

WARNING

" SAFETY INSTRUCTIONS "

Do not start, operate or work this machine until you have carefully read and thoroughly understand the contents of the owners manual.

If you have any questions about proper operation or adjustments and maintenance of this machine, contact your dealer or ENOAGRICOLA ROSSI s.r.l. before starting or continuing operation of this machine. You will need to give your name, address, model and serial number of your machine.

ENOAGRICOLA ROSSI s.r.l.

06018 CALZOLARO DI UMBERTIDE
(PERUGIA) - Italy

Tel. 075.9302222 - Fax 075.9302328
E-Mail: enorossi@enorossi.it - info.enorossi@it
www.enorossi.it - www.enoagricolarossi.it/com

DEALER / DISTRIBUTOR:

If operator's manual is missing, please advise immediately and it will be furnished to you. Failure to follow safety, operating, and maintenance instructions could result in serious injury or death to the operator or bystanders, costly breakdowns and poor operation.

SAFETY WARNING



DANGER

THE SYMBOL ABOVE CALLS YOUR ATTENTION TO INSTRUCTION CONCERNING YOUR PERSONAL SAFETY.

THE SAFETY AND INFORMATION DECALS ON THIS UNIT ARE INSTALLED TO ALERT OPERATORS TO DANGERS IN SPECIFIC MACHINE AREAS.

READ AND UNDERSTAND TO AVOID PERSONAL INJURY OR DEATH.



1. Read and understand the Operator's Manual.
2. Stop tractor engine and set parking brake before leaving operator's platform.
3. Keep riders off the machine.
4. Make certain everyone is clear of the machine before starting the tractor engine and operating.
5. Keep all shields in place.
6. Never lubricate, adjust, unclog, or service the machine with tractor engine running.
7. Wait for all movement to stop before servicing.
8. Keep hands, feet, and clothing away from moving parts.
9. Use flashing warning lights when operating on highways except when prohibited by law.
10. Maximum transport speed should not exceed 20 miles per hour.
11. Tractor must be equipped with Rollover Protective Structure (ROPS) and seatbelt.

READ SAFETY INSTRUCTIONS ON INSIDE BACK PAGE

SAFETY WARNING DECALS AND PRECAUTIONS


When the tedder is in motion keep away at a safe distance in order to avoid injury. During control operations or when checking parts of unit we recommend to stop tractor engine and disconnect P.T.O. drive from tractor. Remember that tedders are a potential hazard for people and animals.

We strongly recommend that these machines be used only by persons who are aware and know all functional operations of these units.

	<p>⚠ DANGER</p> <p><i>Stay clear to...</i></p> <ul style="list-style-type: none">. Avoid entanglement. Avoid thrown objects	
--	---	---

	<p>⚠ DANGER</p> <ul style="list-style-type: none">. Keep away from rotating driveline.. Keep driveline shields, implement shields, and tractor PTO master shield in place and in good repair.. Operate only with 540 rpm PTO.
---	--

	<p>⚠ WARNING</p> <p>Install hitch jack and tip rotors forward with adjustment crank before removing tractor hitch pin.</p>
---	---

<p>⚠ WARNING</p> <ul style="list-style-type: none">. Stay clear of folding wings.. Use transport lock during transport and when locking.	
--	---

G4LP-UJ PULL TYPE

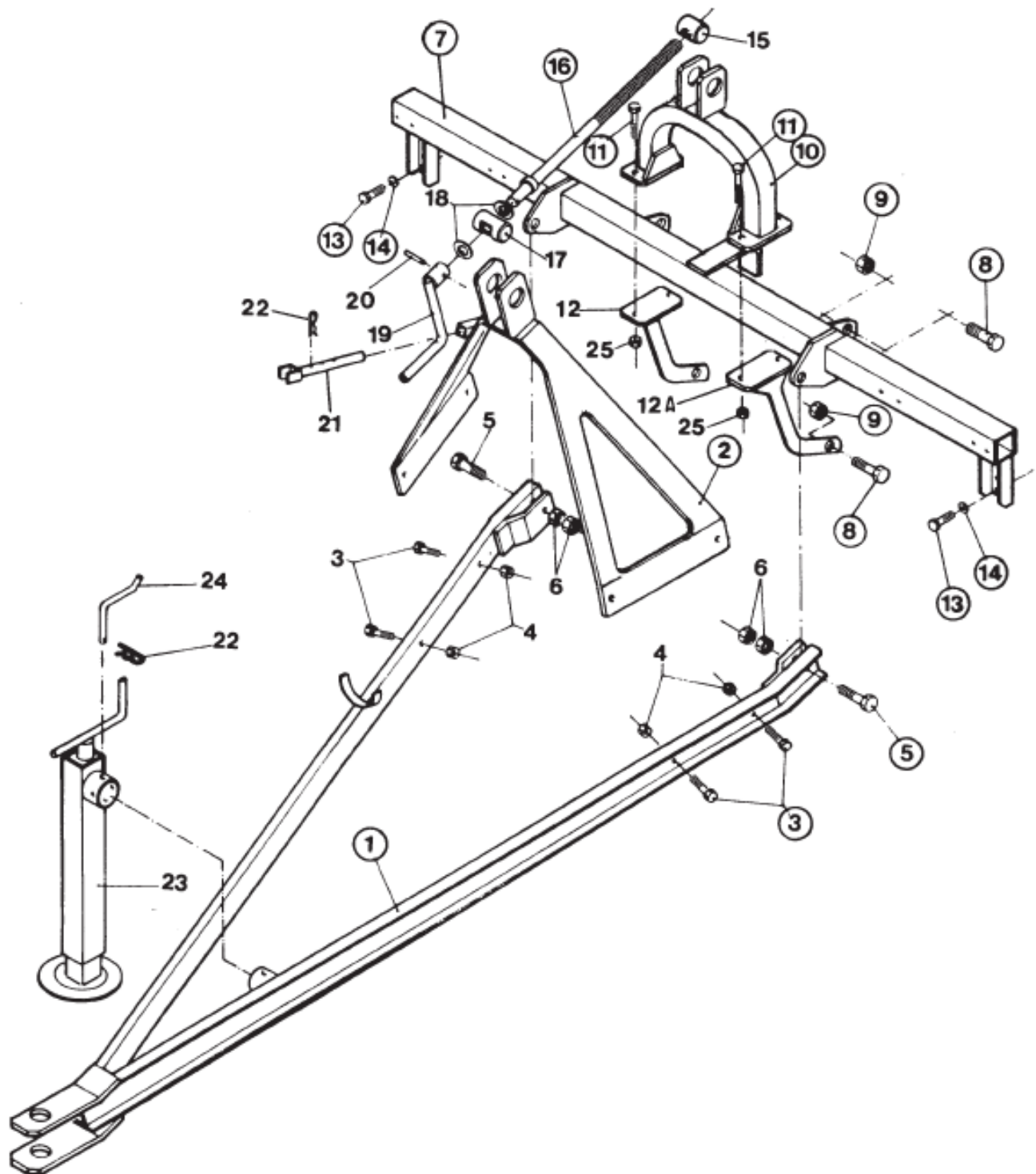


TABLE 1

G4LP-UJ TAB. 1 - Code 19010379 - PULL TYPE DRAWBAR ASSEMBLY

Spare Parts Code	Pos.	Description	Models - Reference
12590102	01	Drawbar	G4LP-UJ - G4L - G4LPE
12590103	02	Adjustment screw support	G4LP-UJ - G4L - G4LPE
3011241	03	Screw TE 12 x 30	G4LP-UJ - G4L - G4LPE
3020202	04	Self locking nut M 12	G4LP-UJ - G4L - G4LPE - G2P - G2LP
3011200	05	Screw TE 18 x 60	G4LP-UJ - G4L - G4LPE
3020334	06	Nut 18 MA	G4LP-UJ - G4L - G4LPE
18031168	07	Cross drawbar	G4LP-UJ
3011673	08	Bolt 18 x 50	G4LP-UJ
3020214	09	Self locking nut 18 MA	G4LP-UJ - G4L - G4LPE - G2P - G2LP
12590104	10	Pull bar support	G4LP-UJ - G4L - G4LPE
3011276	11	Screw TE 12 x 90	G4LP-UJ - G4L - G4LPE
18030695	12	Fastening brackets 60 x 10 R.	G4LP-UJ - G4L - G4LPE
18030696	12A	Fastening brackets 60 x 10 L.	G4LP-UJ - G4L - G4LPE
3011268	13	Screw TE 12 x 20	G4LP-UJ - G4L - G4LPE
3030177	14	Lock. washer M 12	G4LP-UJ - G4L - G4LPE
12880501	15	Split nut 24 MA Ø 35 L. 55	G4LP-UJ - G4L - G4LPE
12880503	16	Adjustment screw	G4LP-UJ - G4L - G4LPE
12880502	17	Split nut Ø L. 55	G4LP-UJ - G4L - G4LPE
12280003	18	Washer Ø 20 x 30 x 0,5	G4LP-UJ - G4L - G4LPE
18030697	19	Crank	G4LP-UJ - G4L - G4LPE
3080109	20	Roll pin Ø 6 x 30	G4LP-UJ - G4L - G4LPE
18030691	21	Crank holder	G4LP-UJ - G4L - G4LPE - G2P - G2LP
3040201	22	Clip pin 3 x 60	G4LP-UJ - G4L - G4LPE - G2P - G2LP
17020129	23	Jack	G4LP-UJ - G4L - G4LPE
12120104	24	Pin 15 x 200	G4LP-UJ - G4L - G4LPE
3020202	25	Self locking nut M 12	G4LP-UJ - G4L - G4LPE - G2P - G2LP

PULL TYPE DRAWBAR ASSEMBLY INSTRUCTIONS: TABLE 1.

- Turn cross drawbar over (Pos. 7) and mount support (Pos. 10) and the two brackets (Pos. 12-12A) and fasten with screws T.E. 12x90 (Pos. 11) and Bolts 18x55 (Pos. 8).
- Connect drawbar (Pos. 1) to cross drawbar (Pos. 7) and fasten with screws 18x60 (Pos. 5) and nuts (Pos. 6). Do not overtighten, then secure with jam nut (Pos. 6). Mount on support (Pos. 2) adjustment screw (Pos. 16), crank (Pos. 19) and split nut 24 MA (Pos. 15). Once support (Pos. 2) is completely mounted fasten to drawbar (Pos. 1) using screws T.E. 12x30 (Pos. 3).
- Mount jack (Pos. 23) and turn crank (Pos. 19) so that rotors will tilt forward in order to ensure maximum stability to tedder in parking position.

WORKING OPERATIONS FOR PULL TYPE MODELS.

Once in field lower two lateral rotors and adjust rotors using crank (Pos. 19) so that front teeth of rotors are 3-4 cm. (1" - 1½") from ground level.

- Other assembly instructions of main frame continue on Page 8. -

3° POINT HITCH MODEL G4LP-UJ

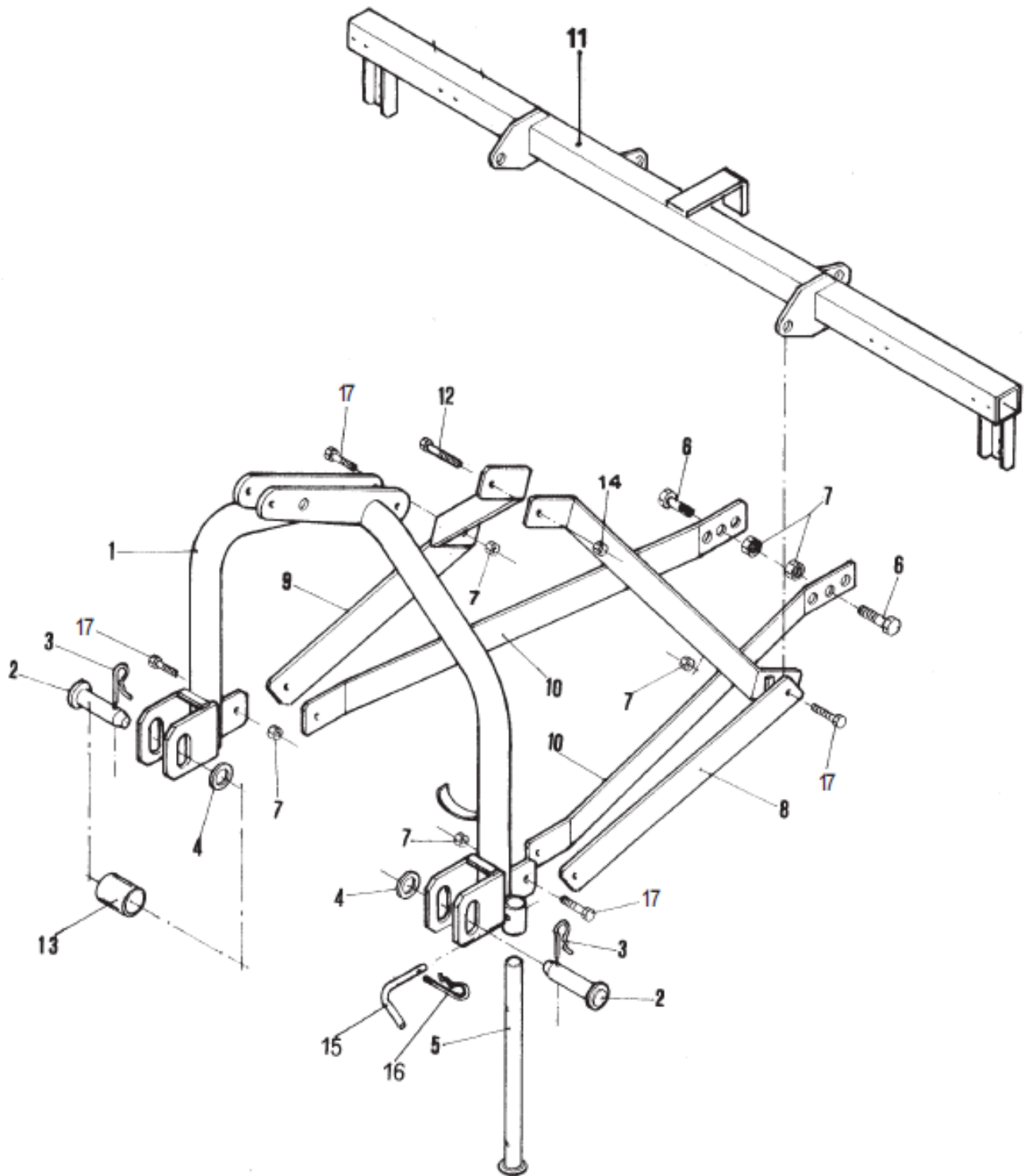


TABLE 2

G4LP-UJ TAB. 2 - Code 19010380 - 3° POINT HITCH ASSEMBLY

Spare Parts Code	Pos.	Description	Models - Reference
18030646	1	Transport frame	G4LP-UJ - G4L - G4LPE - G2P - G2LP
12880513	2	Arms attachment pin	G4LP-UJ - G4L - G4LPE - G2P - G2LP
3080202	3	Spring Ø 10	G4LP-UJ - G4L - G4LPE - G2P - G2LP
3030176	4	Flat washer Ø 22	G4LP-UJ - G4L - G4LPE - G2P - G2LP
18030618	5	Jack support Ø 42,4 L. 710	G4LP-UJ - G4L - G4LPE
3011218	6	Screw T.E. 18x55	G4LP-UJ - G4L - G4LPE - G2P - G2LP
3020214	7	Self locking nut 18 MA	G4LP-UJ - G4L - G4LPE - G2P - G2LP
18030696	8	Left attachment bar	G4LP-UJ - G4L - G4LPE
18030699	9	Right attachment bar	G4LP-UJ - G4L - G4LPE
18030600	10	Height adjustment bar	G4LP-UJ - G4L - G4LPE
18031168	11	Cross drawbar	G4LP-UJ
3010405	12	Screw T.E. 16x120	G4LP-UJ - G4L - G4LPE
12920101	13	(2nd cat.) Bushing for pin	G4LP-UJ - G4L - G4LPE - G2P - G2LP
3020204	14	Self locking nut 16 MA	G4LP-UJ - G4L - G4LPE - G2P - G2LP
12120104	15	Pin Ø 15 L. 200	G4LP-UJ - G4L - G4LPE
3040201	16	Split pin R 3x60	G4LP-UJ - G4L - G4LPE
3011200	17	Screw T.E. 18x60	G4LP-UJ - G4L - G4LPE

- 1) Mount to cross drawbar (N° 11, Tab. 2), left and right attachment bars (9 and 8, Tab. 2) and fasten with screws TE 18 x 55 (N° 6, Tab. 2).
- 2) Connect transport frame (N° 1, Tab. 2) and height adjustment bars (N° 10, Tab. 2). Height adjustment bars (N° 10, Tab. 2) must be placed in central part of frame and fasten with screws TE 18 x 55 (N° 6, Tab. 2) and screws TE 16 x 120 (N° 12, Tab. 2).
N.B. Before overtightening self-locking nuts be sure to have completed assembly of all parts.
- 3) Mount jack foot support (N° 5, Tab. 2) and tilt rotors forwards to ensure major stability to tedder in parking station.
- 4) The three point hitch model is fitted with pivoting wheels (N° 45-45A, Fig. A) therefore before starting tedding operations remember to pull back lock handles (N° 48, Tab. 4), in order to unblock wheels. Connect the two lower hitch points of transport arch to the two lower arms of tractor and fasten upper link to 3 point hitch arm. Connect P.T.O. shaft to tractor P.T.O.
- 5) We recommend that shaft should slide out about 5-10 cm (2-4 inches) after two P.T.O. Joints are connected.
Working operations for three point hitch model
Make sure that before starting to work, front teeth of rotors are 3-4 cm (1-1 1/2 inches) from ground level. This is done by adjusting the upper link of the three point hitch and not by using the hydraulics of tractor.

TABLE 3

MAIN FRAME ASSEMBLY INSTRUCTIONS

After having completed assembly operations of pull type drawbar or three point hitch model proceed as follows:

- Turn main frame (A) upside down and install wheel spindles (Pos. 8 and Pos. 14) and fasten with roll pin \varnothing 10x60 (Pos. 9).
- Mount P.T.O. protection shield (Pos. 34) and fasten tight with clamp (Pos. 33).
- Install other two wheel spindless (Pos. 8 and Pos. 14) on lateral arms (B and C). Mount lateral arms left and right C and B (looking from behind) and fasten with the four articulation pins (Pos. 16) and washers (Pos. 17).

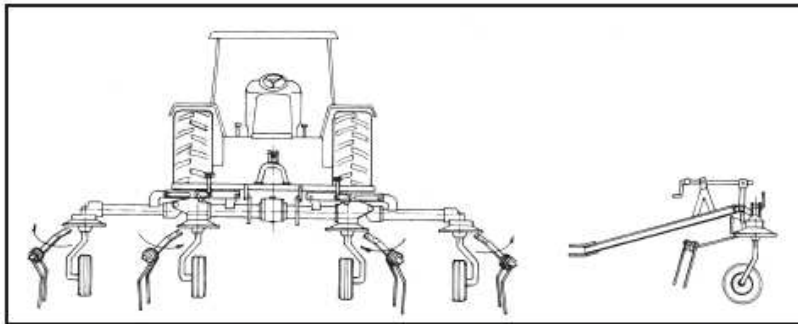
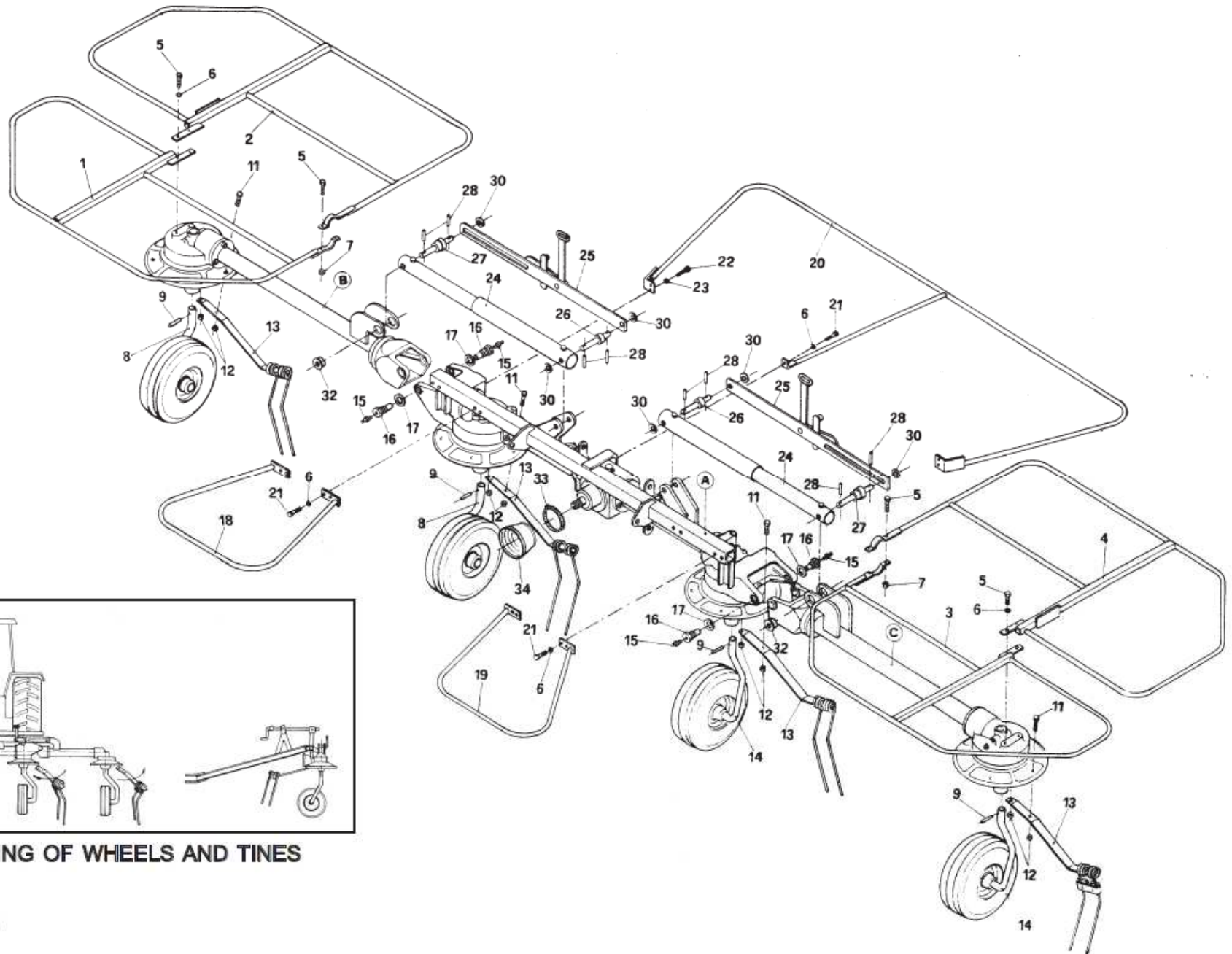
*N.B.: Right and left lateral arms have been marked with respective decals **R** and **L**.*

- Now proceed to mount spring cylinders (Pos. 24) and mechanical or hydraulic wing parts. For assembly refer to Page 16 where you will find all instructions for mechanical or hydraulic wing lift assemblies.
- Connect tine arms (Pos. 13) to four rotors and fasten with screws T.E. 12x30 (Pos. 11) and self-locking nuts (Pos. 12) and respect correct inclination of tine as shown in drawing.
- Mount all protection guards (Pos. 1, 2, 3, 4, 18, 19 and 20).

REMEMBER ALWAYS TO
FOLLOW SAFETY WARNINGS,
ALL MAINTENANCE
AND SERVICE INSTRUCTIONS!

TABLE 3 MAIN FRAME BREAKDOWN DRAWING

FOLD OVER  TO OPEN



CORRECT POSITIONING OF WHEELS AND TINES

TABLE 3

G4LP-UJ TAB. 4 Code 19010377 - LATERAL ARMS SPARE PARTS

Code	Pos.	Description	Models - Reference
18031172	1	Lat. Arm Articulation	G4LP-UJ
18031173	2	Compl. Lat. Arm Tube	G4LP-UJ
18031174	3	Terminal Cover	G4LP-UJ
3030301	4	Grower Washer Ø 12	G4LP-UJ
3010614	5	Screw T.C.C.E.I. H 12x30	G4LP-UJ
3090101	6	Greaser 8 MB	G4LP-UJ - G4L - G4LPE - G2P - G2LP
18031122	7	External Front Protection Guard	G4LP-UJ - G4LPE
18031121	8	External Rear Protection Guard	G4LP-UJ - G4LPE
3011206	9	Screw T.E. 10x30	G4LP-UJ - G4L - G4LPE
3020201	10	Self locking Nut 10 MA	G4LP-UJ - G4L - G4LPE
3011206	11	Screw TE 10x30	G4LP-UJ - G4L - G4LPE
3030701	12	Lock Washer Ø 10	G4LP-UJ - G4L - G4LPE - G2P - G2LP
3080129	13	Roll Pin 10x70	G4LP-UJ - G4L - G4LPE - G2P - G2LP
12060901	15	Terminal Pin 35x240	G4LP-UJ - G4L - G4LPE - G2P - G2LP
18031587	16	Crown Cover	G4LP-UJ
18031170	17	Arm Link Flange	G4LP-UJ
3010605	18	Screw T.C.C.E.I. 12x55	G4LP-UJ
3011241	19	Screw TE 12x30	G4LP-UJ - G4L - G4LPE - G2P - G2LP
3020202	20	Self locking Nut M12	G4LP-UJ - G4L - G4LPE - G2P - G2LP
18031171	21	Crown Coupling	G4LP-UJ
18030620	22	Spring Holder Arm	G4LP-UJ - G4LPE - G2LP
3011297	23	Screw TE 12x45	G4LP-UJ - G4L - G4LPE - G2P - G2LP
18030627	24	Spring Clamp	G4LP-UJ - G4L - G4LPE - G2P - G2LP
18030616	25	Tine	G4LP-UJ - G4L - G4LPE - G2P - G2LP
18030644	26	Tine Saver	G4LP-UJ - G4L - G4LPE - G2P - G2LP
10010604	27	O-Ring 44,45x3,53	G4LP-UJ - G4L - G4LPE - G2P - G2LP
12880509	28	Fixed Wheel Axle Bush	G4LP-UJ - G4L - G4LPE - G2P - G2LP
3080128	29	Roll Pin Ø 10x60	G4LP-UJ - G4L - G4LPE - G2P - G2LP
18031508	31	Fixed Left Wheel Axle	G4LP-UJ - G4L - G4LPE - G2P - G2LP
18031507	31A	Fixed Right Wheel Axle	G4LP-UJ - G4L - G4LPE - G2P - G2LP
12070314	32	Internal Dust Shield 25	G4LP-UJ - G4L - G4LPE - G2P - G2LP
12240113	33	Bearing 6205 2RF	G4LP-UJ - G4L - G4LPE - G2P - G2LP
12070307	34	Spacer Ø 25	G4LP-UJ - G4L - G4LPE - G2P - G2LP
3030175	35	Washer Ø 16	G4LP-UJ - G4L - G4LPE - G2P - G2LP
3020204	36	Self locking Nut 16 MA	G4LP-UJ - G4L - G4LPE - G2P - G2LP
12070315	37	External Dust Shield 18	G4LP-UJ - G4L - G4LPE - G2P - G2LP
12170103	38	Complete Wheel 15.600.6	G4LP-UJ - G4L - G4LPE - G2P - G2LP
3011209	39	Screw TE 10x25	G4LP-UJ - G4L - G4LPE - G2P - G2LP
3030159	40	Washer M10	G4LP-UJ - G4L - G4LPE - G2P - G2LP
18031104	41	Washer 55-11-6	G4LP-UJ - G4L - G4LPE - G2P - G2LP
12240152	42	Glycodur Bearing 30-34-30 F	G4LP-UJ - G4L - G4LPE - G2P - G2LP
18031103	43	Pivot Wheel Attachment	G4LP-UJ - G4L - G4LPE - G2P - G2LP
12280203	44	Glycodur Washer 32x50x1,5	G4LP-UJ - G4L - G4LPE - G2P - G2LP
18031101	45	Crazy Wheel Axle R.	G4LP-UJ - G4L - G4LPE - G2P - G2LP
18031102	45A	Crazy Wheel Axle L.	G4LP-UJ - G4L - G4LPE - G2P - G2LP
11010603	46	Spring	G4LP-UJ - G4L - G4LPE - G2P - G2LP
3080103	47	Roll Pin 6x40	G4LP-UJ - G4L - G4LPE - G2P - G2LP
12880504	48	Locking Handle	G4LP-UJ - G4L - G4LPE - G2P - G2LP
9170006	50	Dust Seal	G4LP-UJ
1011755	51	Fastening Plate 25x104	G4LP-UJ
3011221	52	Screw T.E. 8x16	G4LP-UJ
1013714	53	Decal Plate	G4LP-UJ

G4LP-UJ

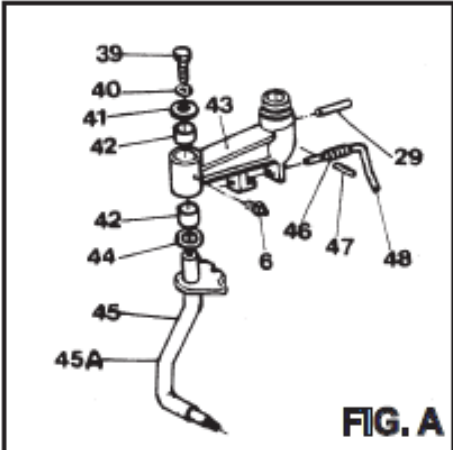
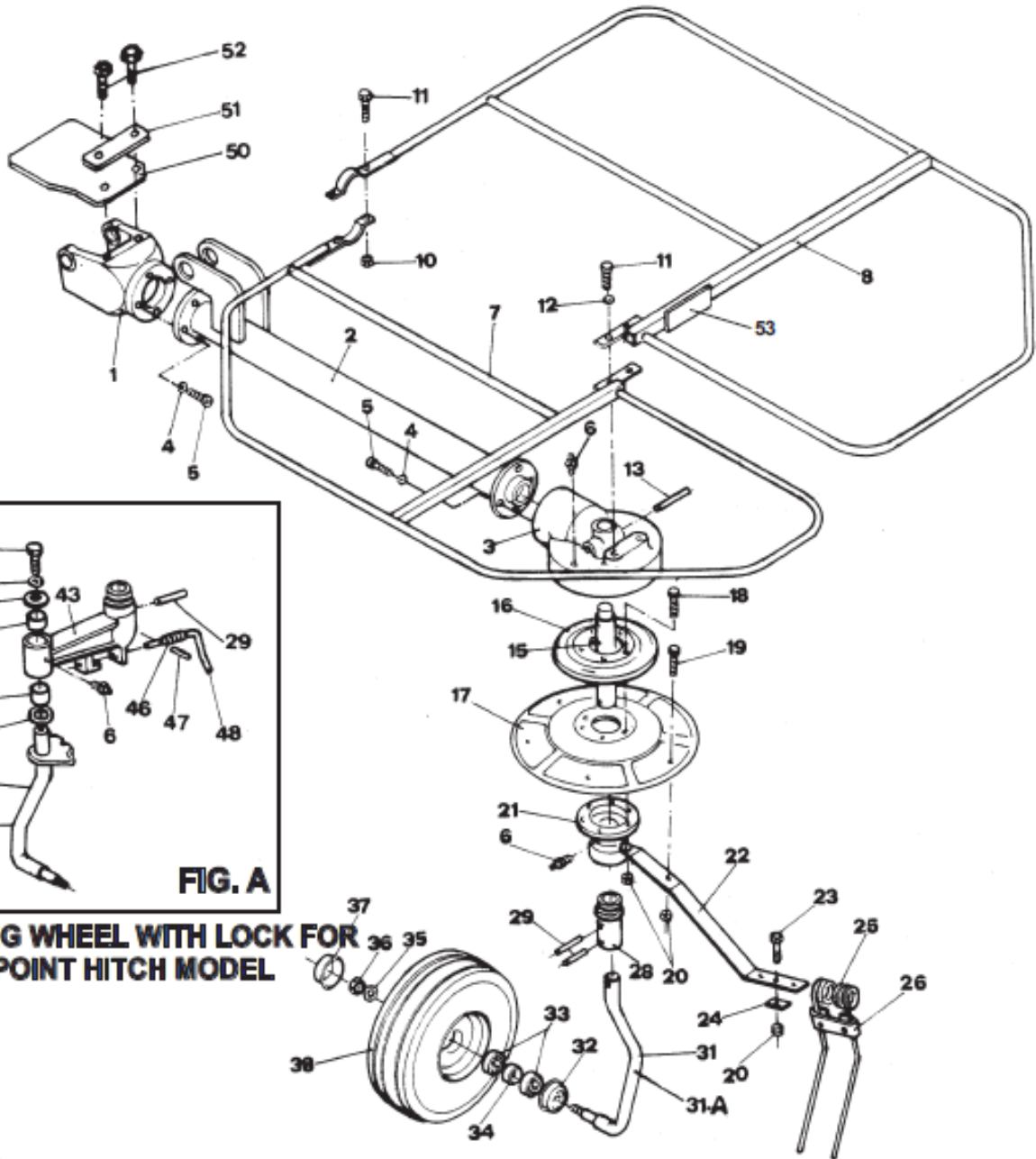


FIG. A

**PIVOTING WHEEL WITH LOCK FOR
THREE POINT HITCH MODEL**

TABLE 4

G4LP-UJ TAB. 6 Code 19010378 - HYDRAULIC KIT SPARE PARTS

Spare Parts Code	Pos.	Description	Models - Reference
18030686	1	Hydr. Cylinder 60 Stroke 277	G4LP-UJ - G4L - G4LPE
12880527	2	Ext. Cylinder Pin	G4LP-UJ
3080102	3	Spring Pin 6x36	G4LP-UJ - G4L - G4LPE
3080103	4	Spring Pin 6x40	G4LP-UJ - G4L - G4LPE
12880529	5	Pin Ø 42	G4LP-UJ
3090101	6	Greaser 8 MB	G4LP-UJ - G4L - G4LPE
3120137	7	Snap Ring E42	G4LP-UJ
12880512	8	Washer D. 30x5	G4LP-UJ - G4L - G4LPE
3020215	9	Self locking Nut 14x1,5	G4LP-UJ - G4L - G4LPE
3030168	10	Flat Washer M 20	G4LP-UJ - G4L - G4LPE
18030685	11	L. Safety Loop	G4LP-UJ - G4L - G4LPE
18030689	12	R. Safety Loop	G4LP-UJ - G4L - G4LPE
18030692	13	Safety Attachment	G4LP-UJ - G4L - G4LPE
11010514	14	Spring	G4LP-UJ - G4L - G4LPE
9130006	15	Rope	G4LP-UJ - G4L - G4LPE
3030403	16	Copper Washer 17x23x1,5	G4LP-UJ - G4L - G4LPE
3011605	17	Drilled Screw 3/8 G.	G4LP-UJ - G4L - G4LPE
12070320	18	Complete delivery Hyd.Hose L. 300	G4LP-UJ - G4L - G4LPE
12070321	19	Complete delivery Hyd.Hose L. 600	G4LP-UJ - G4L - G4LPE
4010902	20	Tee 1/2 G.	G4LP-UJ - G4L - G4LPE
3030406	21	Copper Washer 1/4 - 13x19x1,5	G4LP-UJ - G4L - G4LPE
4010910	22	Straight Joint	G4LP-UJ - G4L - G4LPE
4010509	23	Elbow Joint	G4LP-UJ - G4L - G4LPE
4021202	24	One Way Valve 1/4 G.	G4LP-UJ - G4L - G4LPE
12760410	25	Hyd.Hose L. 2400	G4LP-UJ - G4L - G4LPE
	26		
12760411	27	Complete delivery Hyd.Hose L. 2400	G4LP-UJ - G4L - G4LPE
4010213	28	Male Nipple 1/2	G4LP-UJ - G4L - G4LPE
3030405	29	Copper Washer	G4LP-UJ - G4L - G4LPE
	30		
	31		
4011804	32	Quick Coupler Push Pull 1/2	G4LP-UJ - G4L - G4LPE
	33		
12070323	34	Cylinder	G4LP-UJ - G4L - G4LPE
12070317	35	Piston Head 50x40	G4LP-UJ - G4L - G4LPE
10010623	36	O-Ring Cat. 119	G4LP-UJ - G4L - G4LPE
10010618	37	Seal D.B.M. 196133	G4LP-UJ - G4L - G4LPE
12070318	38	Shaft Ø 30	G4LP-UJ - G4L - G4LPE
10010622	39	O-Ring Cat. 826	G4LP-UJ - G4L - G4LPE
12070319	40	Shaft Ring Nut 60x43	G4LP-UJ - G4L - G4LPE
10010619	41	Balsele Seal (B. 157118)	G4LP-UJ - G4L - G4LPE
10010620		Seal W.R.M. 118149	G4LP-UJ - G4L - G4LPE
10010621		Seals Kit	G4LP-UJ - G4L - G4LPE

HYDRAULIC KIT SCHEME

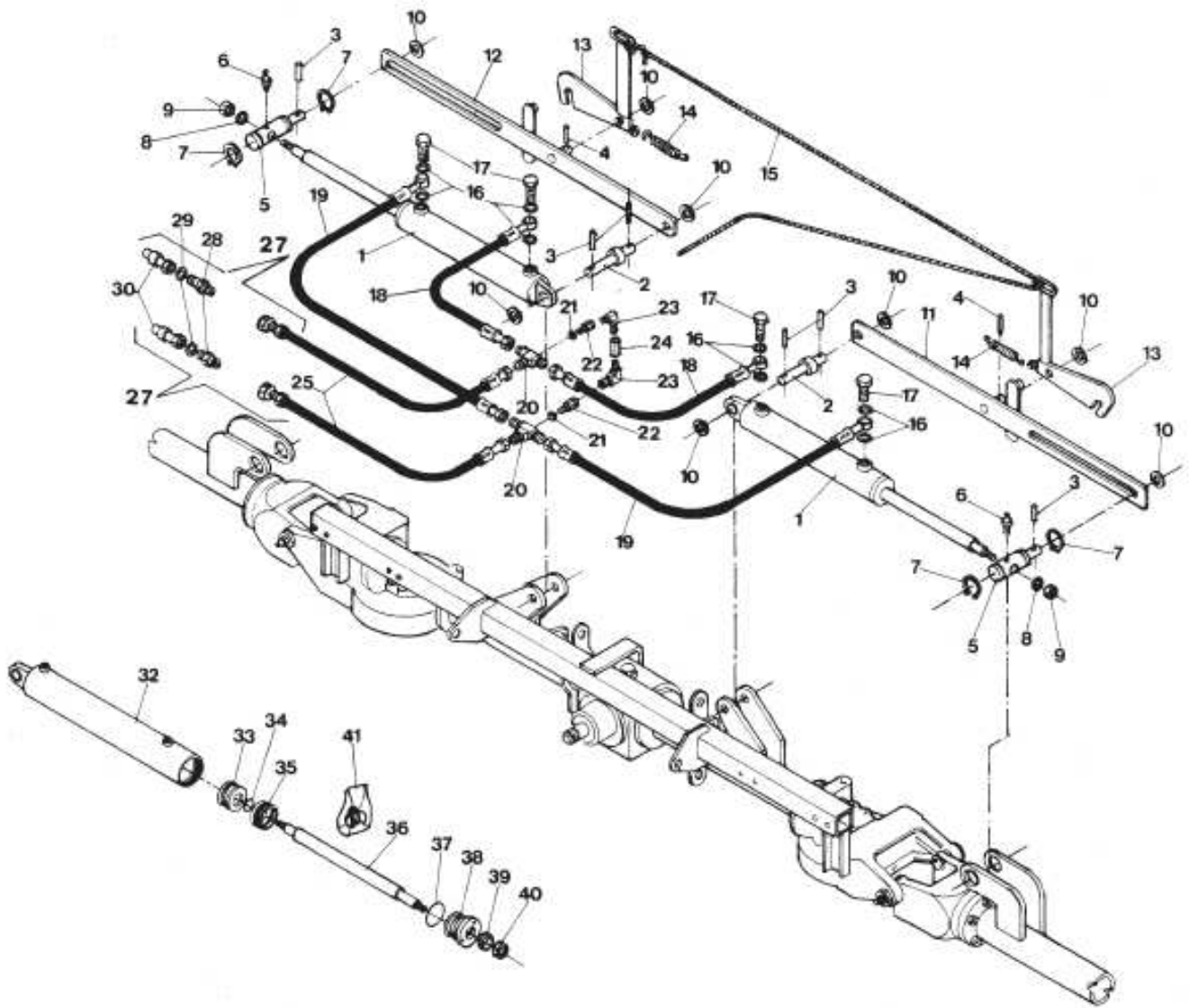


TABLE 6

MECHANICAL WING LIFT SPRING ASSEMBLY AND HYDRAULIC WING LIFT ASSEMBLY

Mechanical spring assembly

REFER TO TABLE 3, PAGE 9.

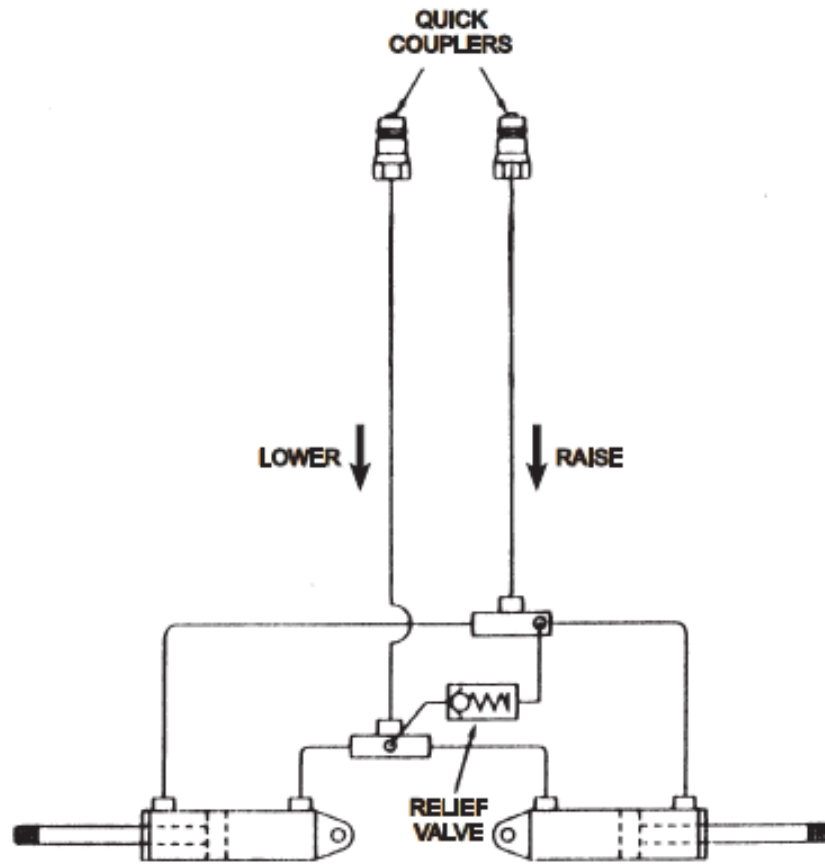
Mount the two spring cylinders (Pos. 24) and fasten with pins (Pos. 26, Pos. 27). Mount the two cylinder safety loops (Pos. 25) and fasten with washers Ø 20 (Pos. 30) and roll pins Ø6x35 (Pos. 28).

Hydraulic cylinders assembly

REFER TO TABLE 6, PAGE 13.

- Mount hydraulic cylinders (Pos. 1) and fasten with pins (Pos. 2). Mount cylinder pin Ø 42 (Pos. 5) to lateral arms bracket and block with snap ring E 40 (Pos. 7).
- Insert hydraulic cylinder shaft into hole of pin Ø 42 (Pos. 5) and fasten with washer and self-locking nut 14x1,5 (Pos. 9).
- Mount the two safety loops R + L (Pos. 12 and 11) and fasten with washers Ø 20 and pins Ø6x35 (Pos. 3).
- Connect hydraulic tubes (Pos. 18, 19 and 25) and using plastic tie straps fasten along frame and drawbar.
- Pass nylon latch release rope (Pos. 15) through latch arm eyelets and tie knots on the end of safety hook attachment (Pos. 13).

HYDRAULIC WING LIFT SCHEMATIC



Working speeds

Working speeds are determined by:

- Hay moisture
- Hay density

Working speeds:

- For hay with high moisture, 7-8 KM/H (M.P.H. 4-5) per hour.
- For dry hay, 10-15 KM/H (M.P.H. 6-9) per hour.

P.T.O. working speed:

- Operate only at 540 RPM

Transport

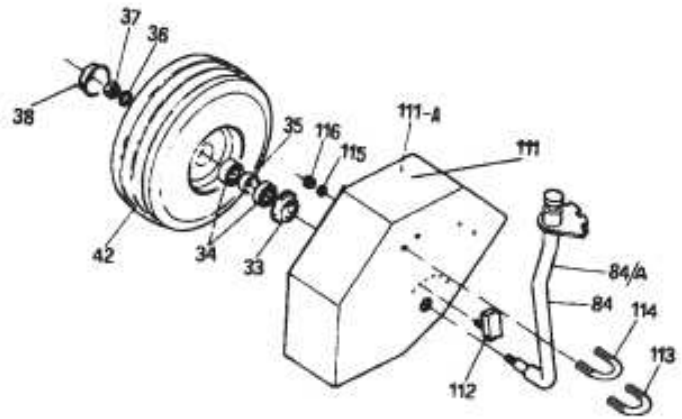
For transport fold up lateral wings and block with two safety locks (Pos. 13, Table 6, Page 13).

To fold open lateral wings:

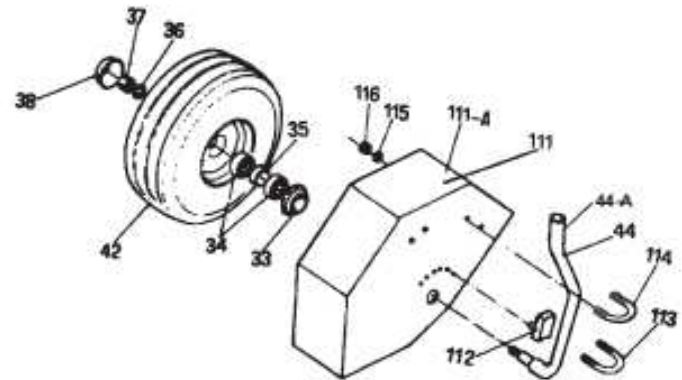
- Mechanical model: unblock manually the two safety locks (Pos. 13, Table 6, Page 13).
- Hydraulic model: It is important that two safety locks be lifted by using nylon rope before operating hydraulics.

G4LP-UJ TAB.9 Code 19010466 - OPTIONAL FENDER ASSEMBLY

1) FOR PIVOTING WHEEL



2) FOR FIXED WHEEL



Spare Parts Code	Pos.	Description	Models - Reference
12070314	33	Internal Dust Shield	G4LP-UJ - G4L - G4LPE - G2P - G2LP
12240113	34	Bearing 6205 2RS	G4LP-UJ - G4L - G4LPE - G2P - G2LP
12070307	35	Spacer 25	G4LP-UJ - G4L - G4LPE - G2P - G2LP
3030175	36	Washer Ø 16	G4LP-UJ - G4L - G4LPE - G2P - G2LP
3020204	37	Self-locking Nut	G4LP-UJ - G4L - G4LPE - G2P - G2LP
12070315	38	Ext. Dust Shield Ø 16	G4LP-UJ - G4L - G4LPE - G2P - G2LP
12170103	42	Complete Wheel 15.600.6	G4LP-UJ - G4L - G4LPE - G2P - G2LP
18031508	44	Fixed Wheel Axle (L)	G4LP-UJ - G4L - G4LPE - G2P - G2LP
18031507	44A	Fixed Wheel Axle (R)	G4LP-UJ - G4L - G4LPE - G2P - G2LP
18031101	84	Crazy Wheel Axle (R)	G4LP-UJ - G4L - G4LPE - G2P - G2LP
18031102	84A	Crazy Wheel Axle (L)	G4LP-UJ - G4L - G4LPE - G2P - G2LP
18031505	111	Right Fender	G4LP-UJ - G4L - G4LPE
18031506	111A	Left Fender	G4LP-UJ - G4L - G4LPE
18030614	112	Spacer	G4LP-UJ - G4L - G4LPE
18030615	113	Long Bracket	G4LP-UJ - G4L - G4LPE
18030608	114	Short Bracket	G4LP-UJ - G4L - G4LPE
3030156	115	Flat Washer Ø 8	G4LP-UJ - G4L - G4LPE - G2P - G2LP
3020209	116	Self-locking Nut 8 MA	G4LP-UJ - G4L - G4LPE - G2P - G2LP

G4LP-UJ TAB. 7 Code 19010381 - ROTOR SPARE PARTS

Spare Parts Code	Pos.	Description	Models - Reference
12260003	1	Oil Seal 35.72.10	G4LP-UJ - G4L - G4LPE - G2P - G2LP
3120105	2	Snap Ring I 72 7437-75	G4LP-UJ - G4L - G4LPE - G2P - G2LP
3120102	3	Snap Ring E 35 7435-75	G4LP-UJ - G4L - G4LPE - G2P - G2LP
12240109	4	Bearing 6207	G4LP-UJ - G4L - G4LPE - G2P - G2LP
12320301	5	Shaft for P.T.O.	G4LP-UJ - G4L - G4LPE - G2P - G2LP
3110003	6	Key 8x7x40	G4LP-UJ - G4L - G4LPE - G2P - G2LP
3120120	7	Spring Ring BR 52 INA	G4LP-UJ - G4L - G4LPE - G2P - G2LP
12070302	8	Roller Bush HK4520	G4LP-UJ - G4L - G4LPE - G2P - G2LP
8010302	9	Bevel Pinion Gear Z 16	G4LP-UJ - G4L - G4LPE - G2P - G2LP
3120101	10	Snap Ring E 30 7435 75	G4LP-UJ - G4L - G4LPE - G2P - G2LP
8010304	11	Ring Bevel Gear Z 23	G4LP-UJ - G4L - G4LPE - G2P - G2LP
3110002	12	Key 8x7x36	G4LP-UJ - G4L - G4LPE - G2P - G2LP
12240108	13	Bearing 6206 2RS	G4LP-UJ - G4L - G4LPE - G2P - G2LP
12260002	14	Oil Seal 30.55.10	G4LP-UJ - G4L - G4LPE - G2P - G2LP
12010205	15	Central Shaft	G4LP-UJ
8010303	16	Bevel Pinion Z 17	G4LP-UJ - G4L - G4LPE - G2P - G2LP
3120108	17	Snap Ring I 62	G4LP-UJ - G4L - G4LPE
8020702	18	Double Cardan Joint	G4LP-UJ
3080141	19	Spring Pin 10x55	G4LP-UJ
3080142	20	Spring Pin 6x55	G4LP-UJ
12070331	21	Spacer Ø 42,4x9	G4LP-UJ
3110000	22	Key 8x7x30	G4LP-UJ - G4L - G4LPE - G2P - G2LP
12010103	23	Lateral Shaft Ø 30 L. 924	G4LP-UJ
12060901	24	Terminal Pin 35x240	G4LP-UJ - G4L - G4LPE - G2P - G2LP
18031169	25	Ring Bevel Gear Z 34	G4LP-UJ
12240160	26	Bearing 32007 - 35x62x18	G4LP-UJ
10011315	27	Oil Seal Nilos 32007 AV	G4LP-UJ
8020430	28	Cardan Shaft PULL TYPE ONLY	G4LP-UJ - G4L - G4LPE
8020429	28A	Cardan Shaft 3° POINT HITCH ONLY	G4LP-UJ - G4L - G4LPE
3090106	29	Greaser 10 MA	G4LP-UJ
12070329	30	Spacer	G4LP-UJ
12590201	31	Wheel Support bracket pin 35	G4LP-UJ - G4LPE
12240145	32	Bearing 6207 2RS	G4LP-UJ - G4LPE
3120126	33	Flat Washer 0,3/0,5	G4LP-UJ

REMEMBER ALWAYS TO
FOLLOW SAFETY WARNINGS,
ALL MAINTENANCE
AND SERVICE INSTRUCTIONS!

TABLE 7 ROTORS BREAKDOWN DRAWING

FOLD OVER  TO OPEN

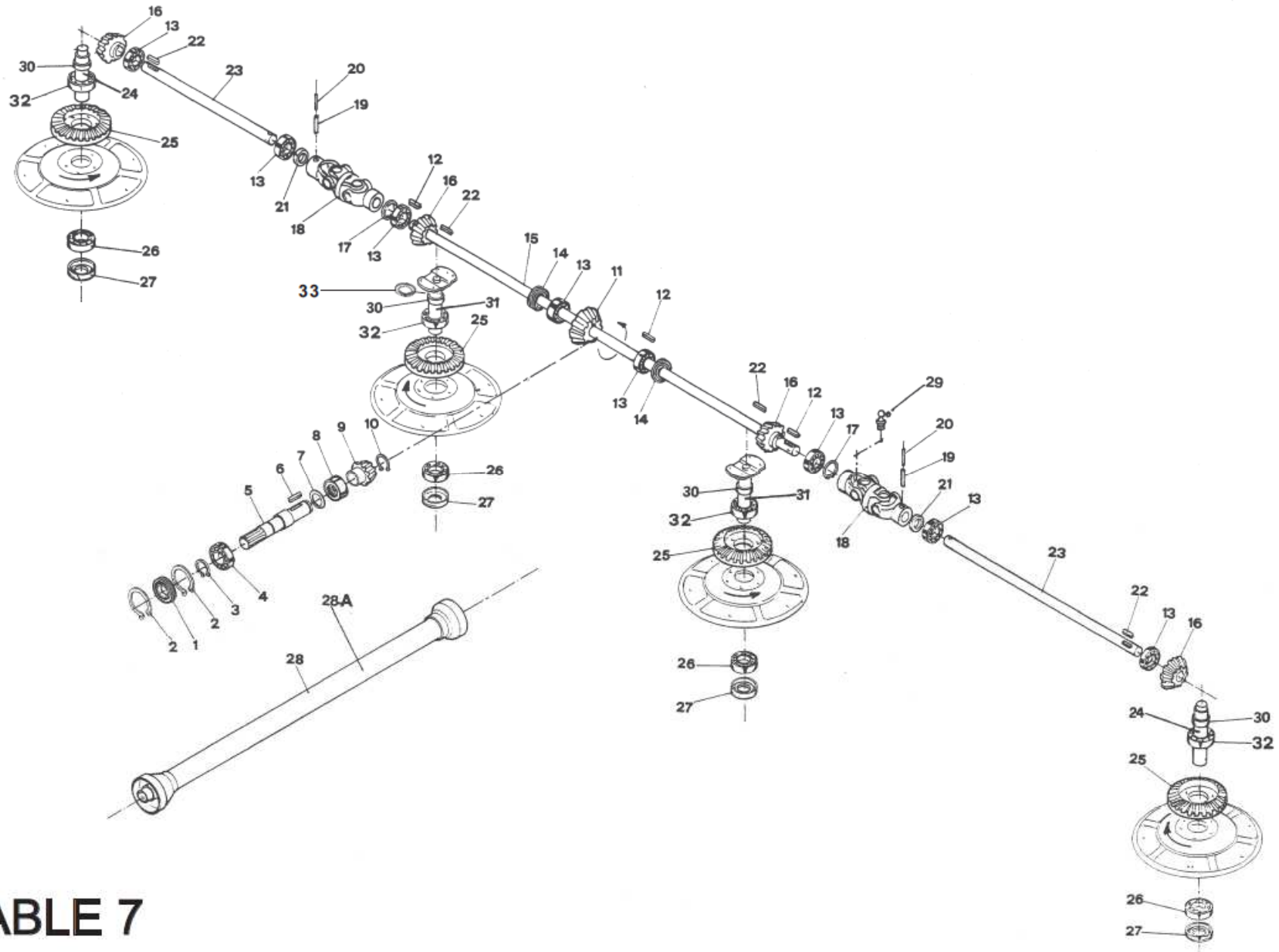


TABLE 7

G4LP-UJ TAB. 8 Code 19010376 - CENTRAL FRAME SPARE PARTS

Spare Parts Code	Pos.	Description	Models - Reference
9070101	1	Protection Guard	G4LP-UJ - G4L - G4LPE - G2P - G2LP
4010702	2	Clamp 80 x 100	G4LP-UJ - G4L - G4LPE - G2P - G2LP
18030657	3	Central Gear Box Coupling	G4LP-UJ - G4L - G4LPE - G2P - G2LP
18030623	4	Central Gear Box	G4LP-UJ - G4L - G4LPE - G2P - G2LP
3030704	5	Lock Washer Ø 8	G4LP-UJ - G4L - G4LPE - G2P - G2LP
3010606	6	Screw T.C.C.E.I. M 8x20	G4LP-UJ - G4L - G4LPE - G2P - G2LP
3030408	7	Copper Washer 14	G4LP-UJ - G4L - G4LPE - G2P - G2LP
3010232	8	Screw TE M 14x20	G4LP-UJ - G4L - G4LPE - G2P - G2LP
18031166	9	Compl. Arm Tube	G4LP-UJ
3010607	10	Screw T.C.C.E.I. M 12x25	G4LP-UJ - G4L - G4LPE - G2P - G2LP
3010614	10A	Screw T.C.C.E.I. M 12x30	G4LP-UJ - G4L - G4LPE - G2P - G2LP
3030301	11	Grower Washer 12	G4LP-UJ
18031167	12	Central Cover	G4LP-UJ
3030708	13	Lock Washer for M 27	G4LP-UJ
12880526	14	Articulation Pin	G4LP-UJ
3090101	15	Greaser 8 MB	G4LP-UJ - G4L - G4LPE - G2P - G2LP
18031168	16	Cross Drawbar L. 1490	G4LP-UJ
3011268	17	Screw TE 12x20	G4LP-UJ - G4L - G4LPE
18030681	18	Cylinder Spring Tube 60,3x5	G4LP-UJ - G4L - G4LPE
11010527	19	Cylinder Spring	G4LP-UJ
18030682	20	Cylinder Spring Tube	G4LP-UJ - G4L - G4LPE
18031549	21	Compl. Cylinder Spring Assembly	G4LP-UJ
3011620	22	Screw TE 12x75	G4LP-UJ - G4L - G4LPE
3010217	23	Screw TE 12x60	G4LP-UJ - G4L - G4LPE
3020202	24	Self locking Nut M 12	G4LP-UJ - G4L - G4LPE - G2P - G2LP
12880527	25	Ext. Cylinder Pin	G4LP-UJ
12880528	26	Int. Cylinder Pin	G4LP-UJ
3030168	27	Flat Washer M 20	G4LP-UJ - G4L - G4LPE
3080102	28	Spring Pin Ø 6x36	G4LP-UJ - G4L - G4LPE
12070341	29	Int. Cylinder Spacer Ø 50x21	G4LP-UJ
3030177	30	Lock Washer Ø 12	G4LP-UJ
3011255	31	Screw TE 12x25	G4LP-UJ - G4L - G4LPE
18030685	32	L. Safety Loop	G4LP-UJ - G4L - G4LPE
18030689	33	R. Safety Loop	G4LP-UJ - G4L - G4LPE
18030692	34	Safety Attachment	G4LP-UJ - G4L - G4LPE
11010514	35	Spring	G4LP-UJ - G4L - G4LPE

G4LP-UJ TAB. 8 Code 19010376 - CENTRAL FRAME SPARE PARTS

Spare Parts Code	Pos.	Description	Models - Reference
3120126	36	Flat Washer 0,3/0,5	G4LP-UJ
18031120	37	Central Rear Protection Guard	G4LP-UJ - G4LPE
3011256	38	Screw TE 10x20	G4LP-UJ - G4L - G4LPE
3030701	39	Lock Washer Ø 10	G4LP-UJ - G4L - G4LPE - G2P - G2LP
3011241	40	Screw TE 12x30	G4LP-UJ - G4L - G4LPE - G2P - G2LP
3030703	41	Lock Washer Ø 12	G4LP-UJ - G4L - G4LPE
18030678	42	Left Internal Protection Guard	G4LP-UJ - G4LPE
18030680	43	Right Internal Protection Guard	G4LP-UJ - G4LPE
12590201	44	Wheel Support Bracket Pin 35x15	G4LP-UJ - G4L - G4LPE
3011660	45	Screw TE 12x60	G4LP-UJ - G4L - G4LPE
3080103	46	Spring Pin Ø 6x40	G4LP-UJ - G4L - G4LPE
18031587	47	Crown Cover	G4LP-UJ
18031170	48	Arm Link Flange	G4LP-UJ
3010605	49	Screw T.C.C.E.I. 12x55	G4LP-UJ
18031171	50	Crown Coupling	G4LP-UJ
18030620	51	Tine Arm	G4LP-UJ - G4LPE - G2LP
3011297	52	Screw TE 12x45	G4LP-UJ - G4L - G4LPE - G2P - G2LP
18030627	53	Tine Clamp	G4LP-UJ - G4L - G4LPE - G2P - G2LP
18030616	54	Tine	G4LP-UJ - G4L - G4LPE - G2P - G2LP
10010604	55	O-Ring 44,45x3,53	G4LP-UJ - G4L - G4LPE - G2P - G2LP
12880509	56	Fixed Wheel Axle Bush	G4LP-UJ - G4L - G4LPE - G2P - G2LP
3080128	57	Spring Pin Ø 10x60	G4LP-UJ - G4L - G4LPE - G2P - G2LP
3020329	58	Nut 8 MA	G4LP-UJ - G4L - G4LPE - G2P - G2LP
18031508	59	Left Wheel Axle	G4LP-UJ - G4L - G4LPE - G2P - G2LP
18031507	60	Right Wheel Axle	G4LP-UJ - G4L - G4LPE - G2P - G2LP
12070314	61	Internal Dust Shield 25	G4LP-UJ - G4L - G4LPE - G2P - G2LP
12240113	62	Bearing 6205 - 2RP	G4LP-UJ - G4L - G4LPE - G2P - G2LP
12070307	63	Spacer Ø 25	G4LP-UJ - G4L - G4LPE - G2P - G2LP
3030175	64	Washer Ø 16	G4LP-UJ - G4L - G4LPE - G2P - G2LP
3020204	65	Self locking Nut 16 MA	G4LP-UJ - G4L - G4LPE - G2P - G2LP
12070315	66	External Dust Shield 16	G4LP-UJ - G4L - G4LPE - G2P - G2LP
12170103	67	Complete Wheel 15.600.6	G4LP-UJ - G4L - G4LPE - G2P - G2LP
12070312	68	Air Tube 15.600.6	G4LP-UJ - G4L - G4LPE - G2P - G2LP
12070313	69	Tire 15.600.6	G4LP-UJ - G4L - G4LPE - G2P - G2LP
12070311	70	Wheel Rim	G4LP-UJ - G4L - G4LPE - G2P - G2LP
3050107	71	Stop dowel 8x20	G4LP-UJ
3030703	74	Washer Schnorr Ø 12	G4LP-UJ

REMEMBER ALWAYS TO
FOLLOW SAFETY WARNINGS,
ALL MAINTENANCE
AND SERVICE INSTRUCTIONS!

TABLE 8 CENTRAL FRAME SPARE PARTS

FOLD OVER  TO OPEN

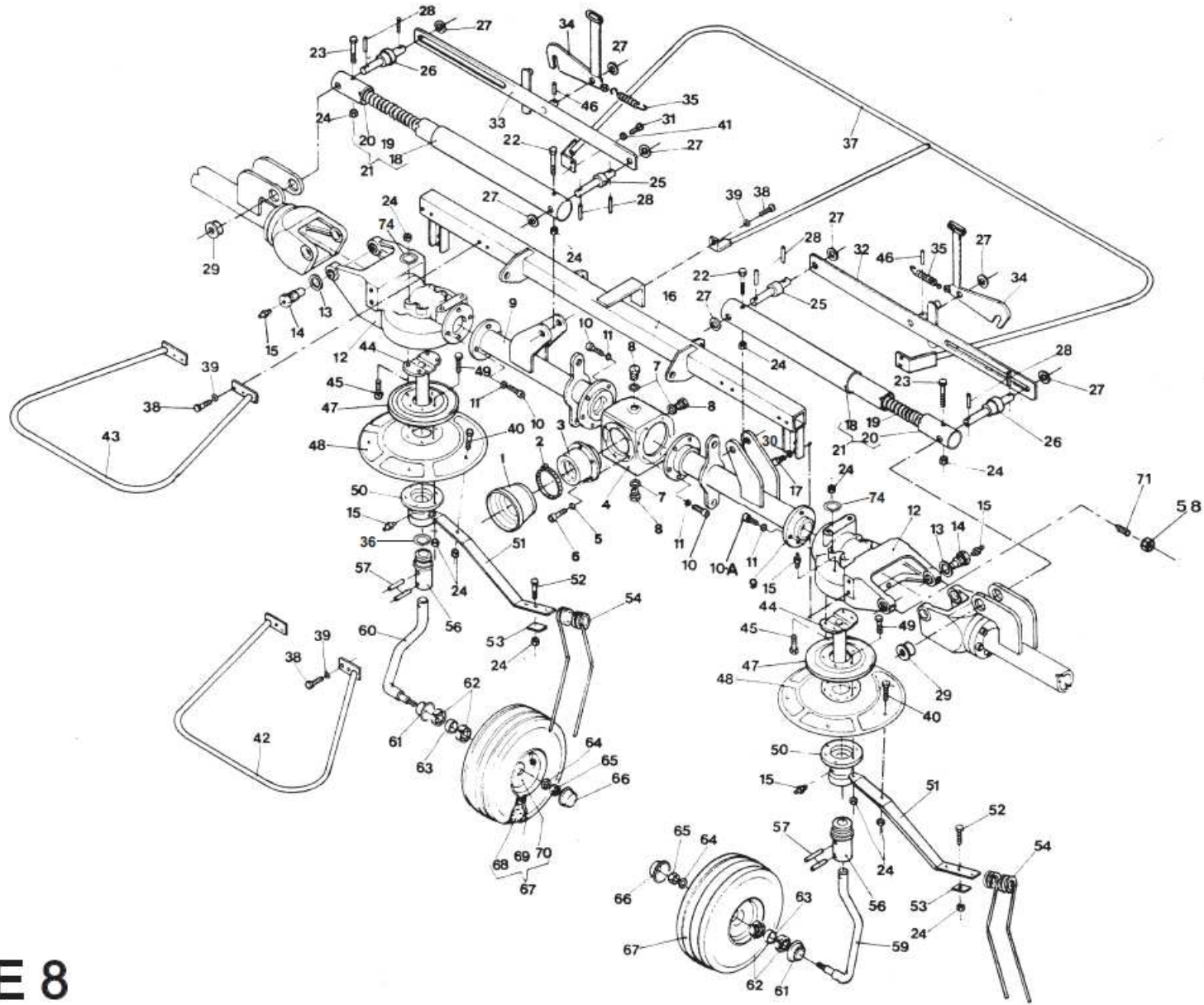
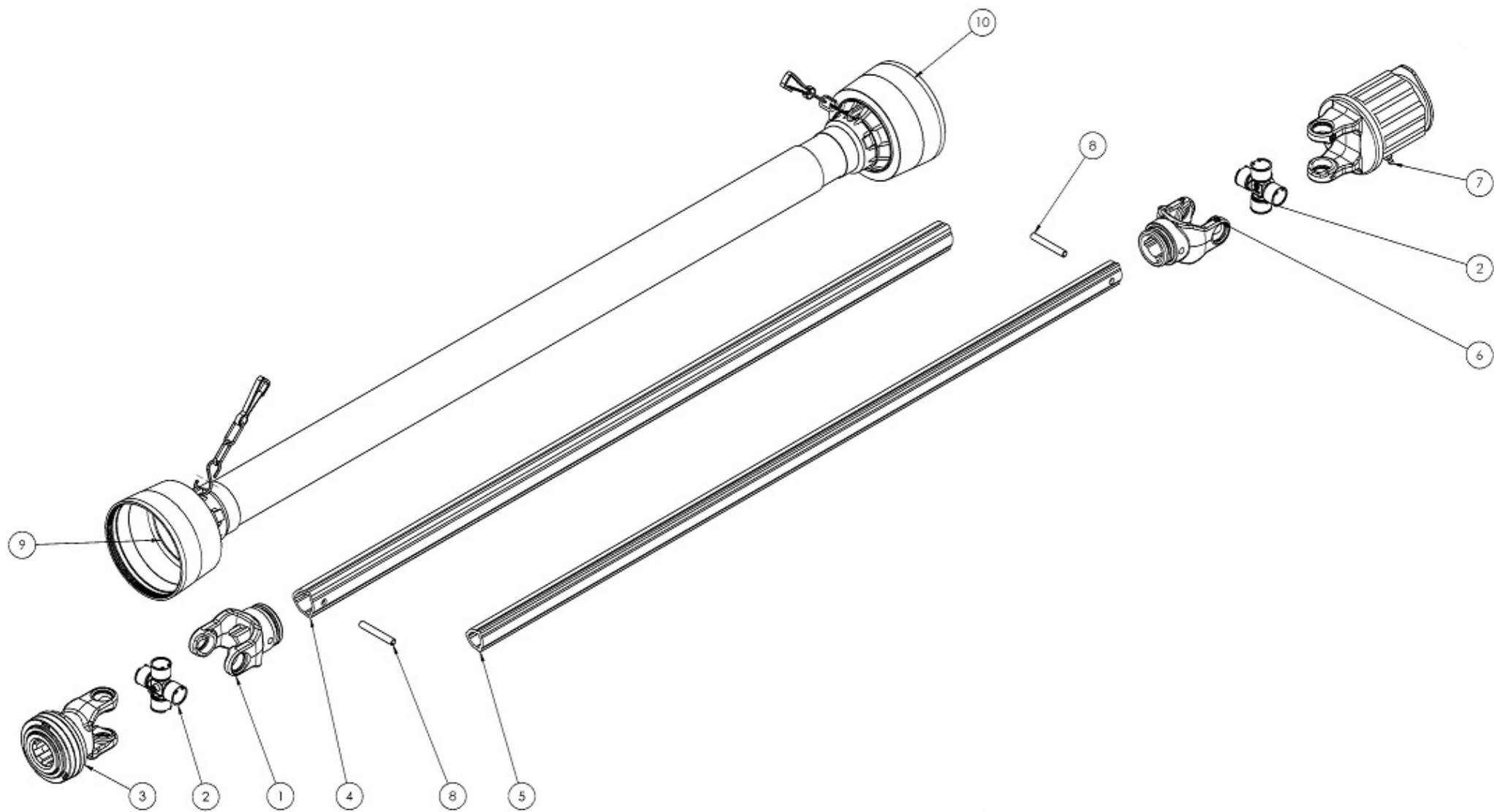


TABLE 8



IMPORTANT

GREASING / LUBRICATION INSTRUCTIONS

Before operating tedder make sure to control if rotor pivots (Pos. 15, Tab. 8) and rotor gearsets (Pos. 15, Tab. 8) are well greased.

Remember that improper lubrication will cause rotor pivot bearing failures and possible gear failures. Our company will not be responsible for damages caused by not following our greasing and lubrication instructions.

Pivot rotors: Pos. 19 Tab. 1. If grease is missing , please check, usually on initial setup tedder requires

Pivot rotors:

Pos. 15 Tab. 8. If grease is missing, please check, usually on initial setup tedder requires at least 20 pumps of multipurpose grease into pivot rotor cavity. Grease every 10 hours in normal working conditions . Severe or unusual conditions may require more frequent greasing.
Position of grease zerk for each rotor is N° 15 table 8.

Rotor gearsets:





















Pos. 15, Tab. 8. If grease is missing, please check, initial set up will require at least 25 pumps of multipurpose grease into rotor gearset cavity. We suggest that you turn rotors by hand as gearsets are lubricated to ensure that bevel gears get thoroughly greased. Grease every 10 hours in normal conditions.
Severe or unusual conditions may require more frequent lubrication.
Grease zerks are placed on top of each rotor and visible to eye.


Before starting working operations check oil level in gearbox and if necessary add oil, SAE 140


- Every 20 working hours check oil level and grease levels.
- Every 10 working hours make sure all screws and nuts are well tightened.
- Change oil after 200 working hours.


LUBRICATION CHART

LUBRICATION CHART

Item	Lube Points	10 Hrs. (Daily)	50 Hrs. (Weekly)	200 Hrs. (Annually)	Beginning of Season	End of Season
Driveline U-Joints and Shaft	6					
Tilt Crank Threads	1					
Gearbox	1					
Rotor Pivots	2 or 4					
Rotor Gearset	2 or 4					
Lift Linkage	-					
Jack	1					

 Check; add fluid if necessary

 Lubricate with a few drops of light oil

 Lubricate with pressure gun, using multipurpose grease

 Drain and replace with SAE #140 gear oil

LUBRICATION

WARNING! DO NOT ATTEMPT TO LUBRICATE MACHINE WHILE IT IS RUNNING. STOP TRACTOR ENGINE, SHIFT TO NEUTRAL OR PARK POSITION, SET BRAKES AND WAIT FOR ROTORS TO STOP BEFORE DISMOUNTING FROM TRACTOR.



Refer to the chart for the appropriate lubrication intervals.

Note: Lubrication intervals are based on normal conditions. Unusual or severe conditions may require more frequent lubrication.

Clean fittings before greasing.

SAFETY INSTRUCTIONS

OPERATING

- In addition to equipment configuration and design, hazard control and accident prevention depends on awareness, concern, prudence and proper training of personnel in the operation, maintenance, transport and storage of equipment.
- Always shut off tractor engine, disengage PTO, shift to "Park" position (or shift to neutral), set brakes and allow machine to completely stop before dismounting tractor or working around the machine.
- Remove tractor start key when tractor and implement will be unattended.
- Do not attempt to lubricate or adjust tedder while machine is in operation.
- Machinery operation should be performed only by people who are responsible and delegated to do so.
- Only the operators should be permitted on the tractor when tractor and tedder are moving. Never allow anyone to ride on the tedder.
- Wear personal protective equipment (PPE) such as, but not limited to, protection for eyes, lungs, ears, head, hands and feet when operating, servicing or repairing equipment.
- Be sure bystanders are clear before operating tractor or tedder.
- Do not leave tractor or implement unattended with tractor engine running.
- Never attempt to operate the tedder unless sitting in the driver's seat.
- Keep all guards and shields in place when machine is in operation.
- Do not stand between tractor and tedder to install hitch pin when tractor engine is running.
- Regulate ground speed to field conditions, and maintain control at all times.
- Do not allow children to ride on, play on, or operate equipment. Always keep children away from equipment operating, servicing, and storage areas.
- Be sure tractor is in safe operating condition, and has adequate braking capabilities.
- Tractor should be equipped with rollover protective structure (ROPS), and a seat belt. Use the seat belt during operation.
- Detach and store tedder where children do not normally play. Always block the wheels.
- Avoid wearing loose-fitting clothing and tie up long hair that can be caught in moving parts.

WARRANTY POLICY

Our Company warrants its products to be free of defects in material and workmanship for a period of 1 year from the date of purchase under normal use and service providing the equipment is purchased for individual and not commercial use.

Our Company will replace any defective part but does not allow any labor cost.

Defective parts will be sent prepaid. Retain defective parts in case they are needed for inspection by manufacturer.

No warranty is made for items made by others since such items are warranted by respective manufacturers.

No liability is assumed for expenses or damages resulting from the malfunction or interruption in operation of the equipment.

This warranty does not apply to any equipment which has been damaged in any accident, or by fire, flood, act of God or has been subjected to abuse, misuse, negligence, alterations, and/or tampering.

Purchaser's exclusive remedy for breach of warranty, other defect, or conduct giving rise to liability shall be the repair or replacement of the product sold, and the manufacturer under no circumstances shall be liable for economic loss or incidental consequential damages.

Effective upon the expiration of this limited warranty (one year from the date of purchase), the manufacturer disclaims all implied warranties, including the warranty of merchantability and fitness.

Our Company reserves the right to make improvements and changes in specifications without notice or obligation to modify previously sold units.





ENOAGRICOLA ROSSI s.r.l.

06018 Calzolaro di Umbertide Perugia Italia
Tel. (39) 075-9302222 - Telefax (39) 075-9302328
e-mail: enorossi@enorossi.it – info@enorossi.it